

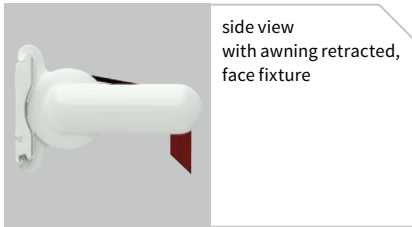


markilux 930 swing

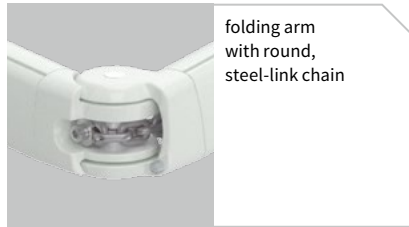
The designer awning with unique pivoting mechanism

rated to wind resistance class 2
(corresponds to Beaufort 5)

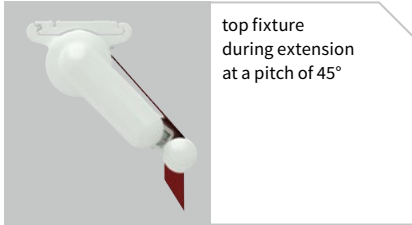




side view with awning retracted, face fixture



folding arm with round, steel-link chain



top fixture during extension at a pitch of 45°

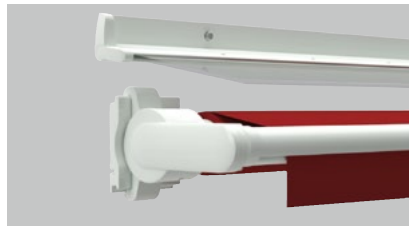


pitch adjustment possible from 5° to 80°

the awning is always horizontal – as shown – when retracted



top fixture during extension at a pitch of 80°



markilux 930 with system coverboard (optional)

Design Features

elegant and chic; designed down to the last detail

inconspicuous appearance; suited to any building façade

when the awning is closed the side cheek and front profile become one

in the case of manual operation it is supplied with a markilux stainless steel winding handle

quality to get to grips with

a straight or wavy valance adds to the awning's appearance

Technical Specification

ideal combination of low construction height and stiff 85 mm roller tube gives optimum winding characteristics

continuously variable pitch adjustment up to 80°

with ingenious, new pivoting mechanism, under patent

the small construction height and the steep pitch provide ideal protection from the sun even when it is low in the sky

folding arms with perfected power transference by means of a round, steel-link chain at the elbow joints

awning covers made of sunsilk snc or sunvas snc with self-cleaning effect

Optional Accessories










external receiver with hand-held remote control for easy operation

hard-wired motor operation (optionally with automatic weather controls) for straightforward and easy operation

in the case of manual operation, ease of use is ensured with the spring-assisted gearbox

awning available in non-standard RAL colours

Frame colours

		standard	optional
traffic white	RAL 9016		
metallic aluminium	RAL 9006		
grey brown, similar to	RAL 8019		
light ivory	RAL 1015		
anthracite metallic	5204		
stone grey metallic	5215		
off-white textured finish	5233		
Havana brown textured finish	5229		
non-standard powder-coated finish			

Miscellaneous





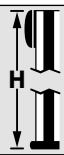
	standard	optional
system coverboard	—	<input checked="" type="checkbox"/>
light and wind sensor	—	<input checked="" type="checkbox"/>
valance	<input checked="" type="checkbox"/> ¹⁾	—
infrared heater	—	<input checked="" type="checkbox"/>
vibrabox / radio control light sensor Sunis WireFree	—	<input checked="" type="checkbox"/>

1) valance shape 1, 2 or 6 (please refer to the section “world of colours in the markilux Collection”)

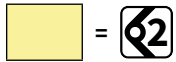
Colours similar to those in the RAL chart. Colours may differ slightly from those depicted in both hue and finish.

01
02
03
04
05
06
07
08
09
10
11
12
13
14
15
16
17
18
19
20
21
22
23

Dimensions and configuration options

	M						M min.	
	250	300	350	400	450	500		
	165 250	251 300	301 350	351 400	401 450	451 500		
	150	1)					178	178
	200	1)					228	228
	250	-	1)				278	278
	300	-	-	1)			328	328

dimensions in cm



1) please note the minimum widths!



Operation / Drive

	standard	optional
manual operation	<input checked="" type="checkbox"/>	-
servo-assisted operation	-	<input checked="" type="checkbox"/>
hard-wired motor	-	<input checked="" type="checkbox"/>
external radio-controlled receiver for the motor	-	<input checked="" type="checkbox"/>

Covers

	fabric range no.	standard	optional
sun silk snc	324 .. / 328 .. / 369 ..	<input checked="" type="checkbox"/>	-
sun silk perla FR	374 ..	-	<input checked="" type="checkbox"/>
sun vas snc	310 .. / 311 .. 313 .. - 315 ..	<input checked="" type="checkbox"/>	-
sun vas perla	370 xx	-	<input checked="" type="checkbox"/>

Dimensions and tolerances

	width		projection
			
housing tolerances	+5 / -10 mm		±40 mm
awning cover width = awning width	- 270 mm	- 300 mm	
awning cover length = awning projection			+260 mm

Additional information

The width of the awning cover is always **less** than that of the awning.

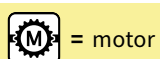
Awning pitch range: in the case of gearbox from the front 5° to 25°, gearbox from the rear 5° to 55° and in the case of motor operation 5° to 80° (all measured to the horizontal).

Definition of projection: Please consult the section "Technical Information".

In the case of manual operation approximately **16 winding handle revolutions can be assumed per metre of awning projection.**

It takes approximately **12 seconds per metre** to extend the awning in the case of **motor-driven units.**

This model is only available as a single unit.



= motor



= manual operation



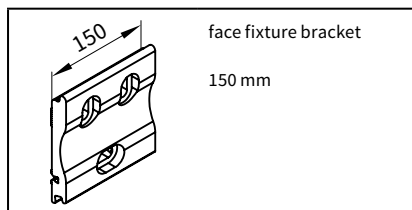
= no. of folding arms

M = awning width

M min. = minimum widths

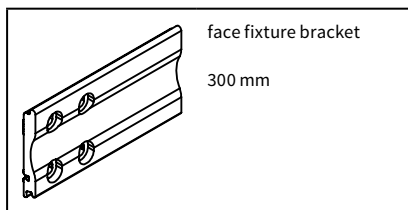
H = projection

Fixtures, fittings and accessories



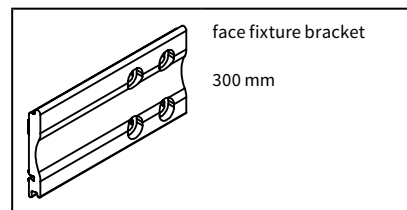
face fixture bracket
150 mm

71624.



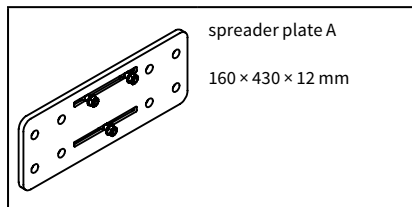
face fixture bracket
300 mm

70617.



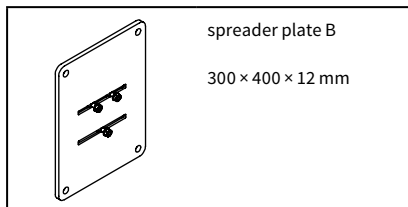
face fixture bracket
300 mm

70600.



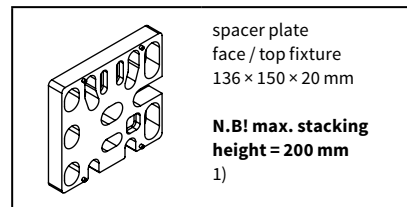
spreader plate A
160 × 430 × 12 mm

75326.



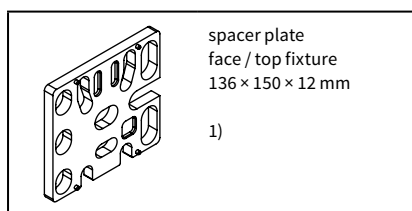
spreader plate B
300 × 400 × 12 mm

75325.



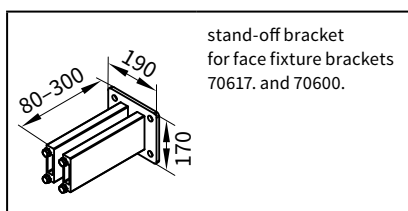
spacer plate
face / top fixture
136 × 150 × 20 mm
**N.B! max. stacking
height = 200 mm
1)**

716331.



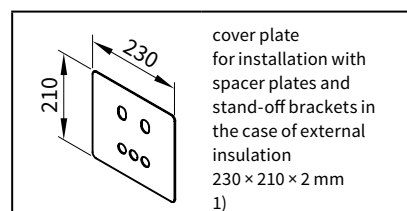
spacer plate
face / top fixture
136 × 150 × 12 mm
1)

71644.



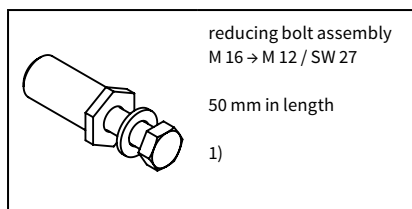
stand-off bracket
for face fixture brackets
70617. and 70600.

77968.



cover plate
for installation with
spacer plates and
stand-off brackets in
the case of external
insulation
230 × 210 × 2 mm
1)

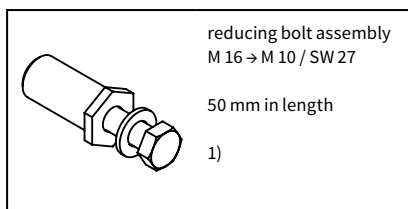
71843.



reducing bolt assembly
M 16 → M 12 / SW 27

50 mm in length
1)

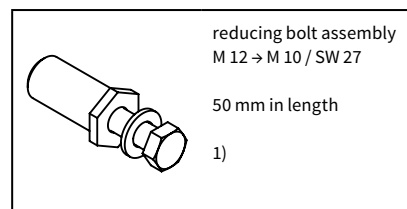
753891



reducing bolt assembly
M 16 → M 10 / SW 27

50 mm in length
1)

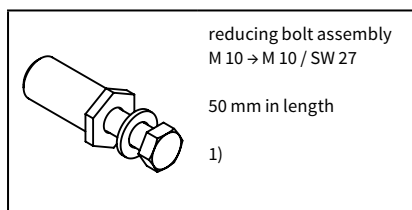
754921



reducing bolt assembly
M 12 → M 10 / SW 27

50 mm in length
1)

754911



reducing bolt assembly
M 10 → M 10 / SW 27

50 mm in length
1)

754901

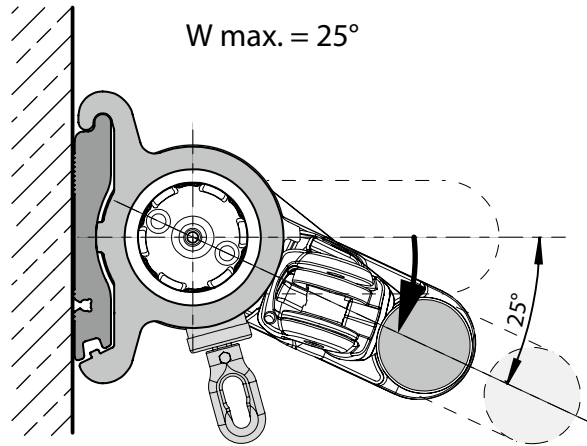
1) please refer to the section "Technical Information"

. = insert RAL colour code no

- 01
- 02
- 03
- 04
- 05
- 06
- 07
- 08
- 09
- 10
- 11
- 12
- 13
- 14
- 15
- 16
- 17
- 18
- 19
- 20
- 21
- 22
- 23

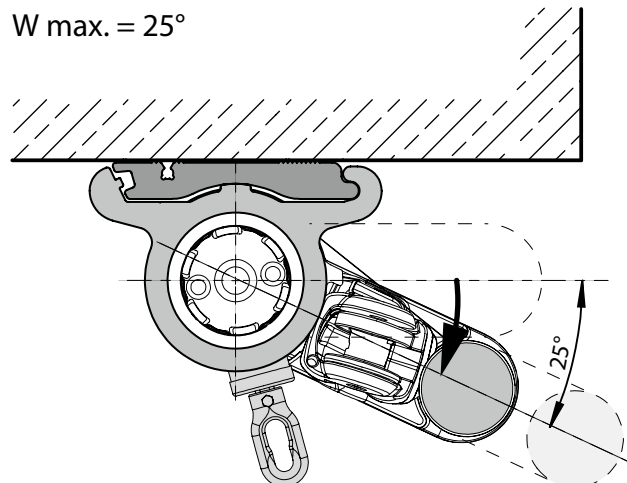
Maximum pitch range if manually operated from the front

Face fixture



dimensions in mm

Top fixture

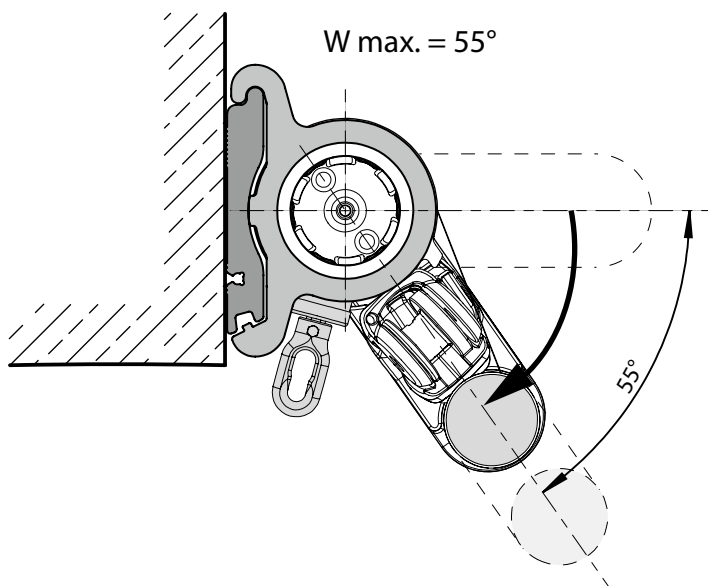


W max. = maximum awning pitch

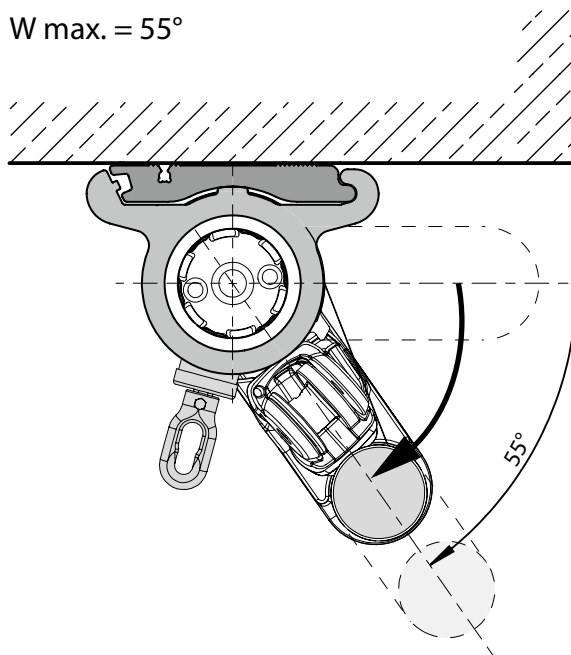
dimensions in mm

Maximum pitch range if manually operated from the rear

Face fixture



Top fixture



dimensions in mm

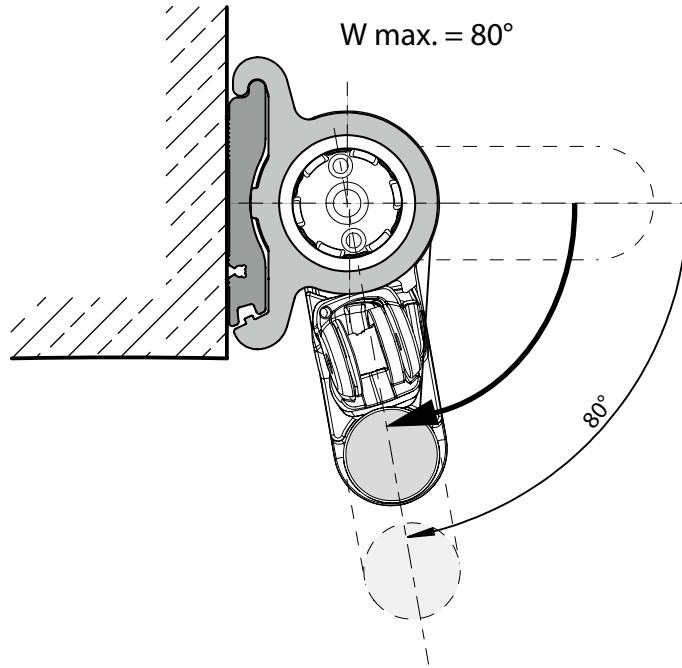
W max. = maximum awning pitch

dimensions in mm

- 01
- 02
- 03
- 04
- 05
- 06
- 07
- 08
- 09
- 10
- 11
- 12
- 13
- 14
- 15
- 16
- 17
- 18
- 19
- 20
- 21
- 22
- 23

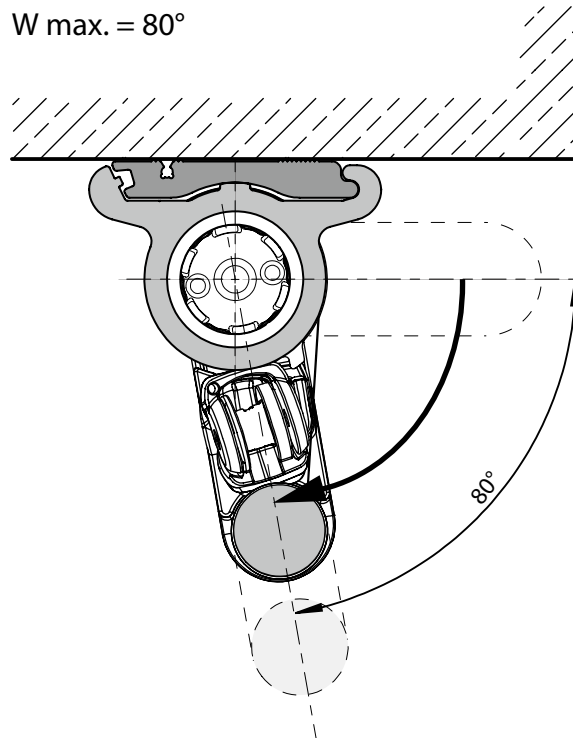
Maximum pitch range if operated by motor

Face fixture



dimensions in mm

Top fixture



W max. = maximum awning pitch

dimensions in mm

01

02

03

04

05

06

07

08

09

10

11

12

13

14

15

16

17

18

19

20

21

22

23

Face fixture

Pull-out force [N=Newton] per upper fixing point according to EN 13561, wind resistance class 2

Compression-proof substrate
M [cm]

250	300	350	400	450	500
-----	-----	-----	-----	-----	-----

Non compression-proof substrate
M [cm]

250	300	350	400	450	500
-----	-----	-----	-----	-----	-----

H [cm]	FB [N]					
150	384	440	496	553	609	666
200	650	742	834	926	1018	1110
250	—	1068	1204	1339	1475	1611
300	—	—	1651	1839	2027	2215

H [cm]	FB [N]					
150	494	567	640	713	785	858
200	838	957	1075	1194	1312	1431
250	—	1376	1551	1726	1901	2077
300	—	—	2128	2370	2612	2855

HT BHT	2 150 mm
----------	------------

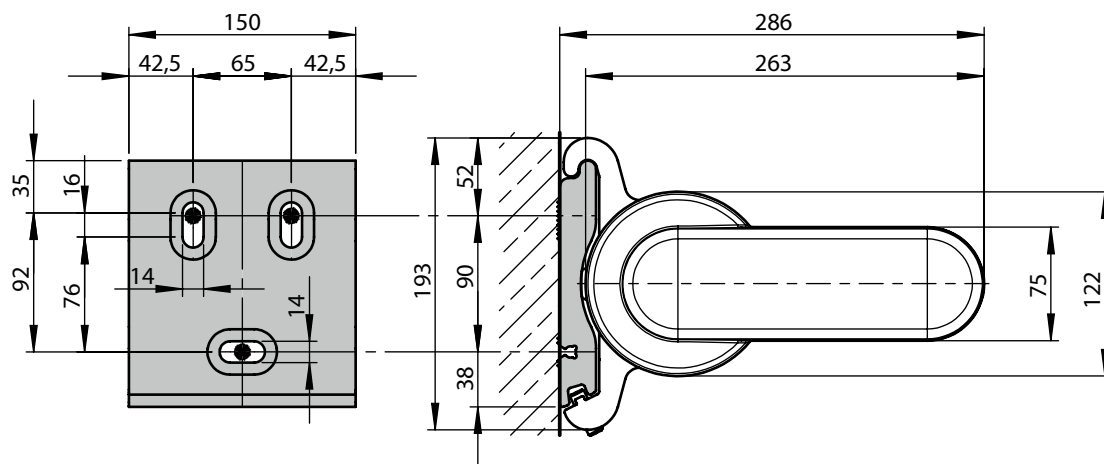
HT BHT	2 150 mm
----------	------------

BM	6
----	---

BM	6
----	---

The pull-out force refers to the vertical centre to centre measurement between the fixture points of **90 mm**. If this measurement is reduced to the minimum, the pull-out force increases by **14%** in the case of **compression-proof substrates** and by **19%** in the case of **non compression-proof substrates**.

- M = awning width
- H = projection
- FB = pull-out force per fixing point
- HT | BHT = bracket quantity | width
- BM = no. of fixing points



dimensions in mm

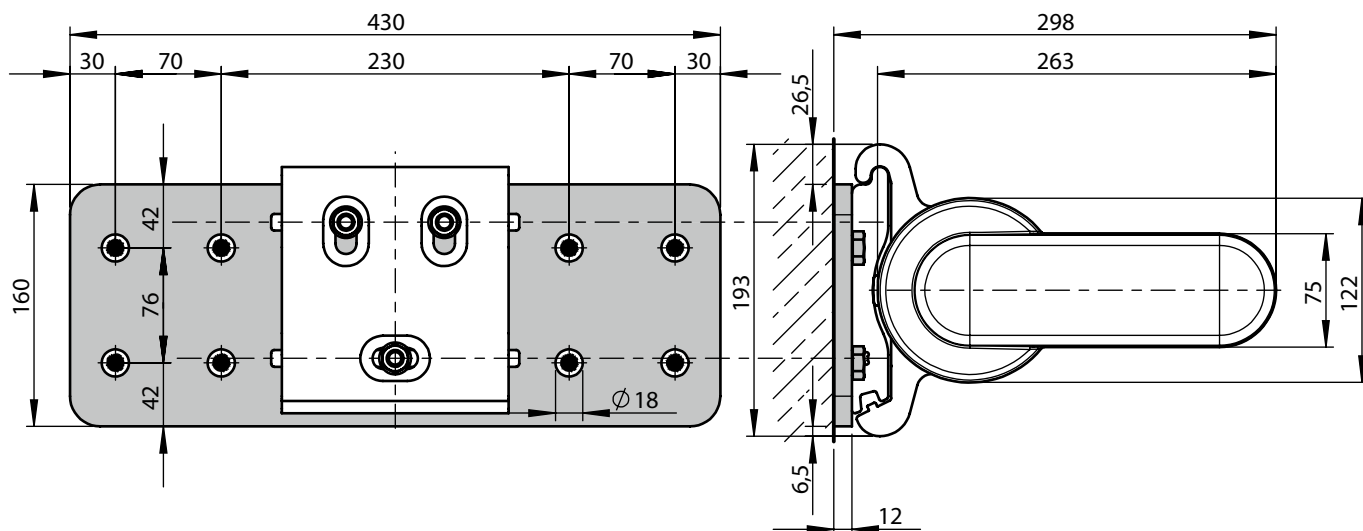
Face fixture with spreader plate A

Pull-out force [N=Newton] per upper fixing point according to EN 13561, wind resistance class 2

Compression-proof substrate							Non compression-proof substrate											
M [cm]							M [cm]											
250							250		300		350		400		450		500	
H [cm]	FB [N]						FB [N]											
150	209	239	270	301	332	362	297	340	384	427	471	515						
200	353	403	453	503	552	602	502	572	643	714	785	856						
250	-	578	652	725	799	872	-	822	926	1031	1135	1240						
300	-	-	893	995	1096	1198	-	-	1269	1413	1558	1702						
HT BHT	2 150 mm						2 150 mm											
BP	2						2											
BM	16						16											

The pull-out force refers to the vertical centre to centre measurement between the fixture points of **76 mm**. In the case of spreader plates a washer conforming to DIN 9021 must be used.

- M = awning width
- H = projection
- FB = pull-out force per fixing point
- HT | BHT = bracket quantity | width
- BP = no. of spreader plates
- BM = no. of fixing points



dimensions in mm

- 01
- 02
- 03
- 04
- 05
- 06
- 07
- 08
- 09
- 10
- 11
- 12
- 13
- 14
- 15
- 16
- 17
- 18
- 19
- 20
- 21
- 22
- 23

Face fixture with spreader plate B

Pull-out force [N=Newton] per upper fixing point according to EN 13561, wind resistance class 2

Compression-proof substrate
M [cm]

250	300	350	400	450	500
-----	-----	-----	-----	-----	-----

Non compression-proof substrate
M [cm]

250	300	350	400	450	500
-----	-----	-----	-----	-----	-----

H [cm]	FB [N]					
150	124	142	160	178	196	214
200	209	238	268	297	327	356
250	—	342	386	429	473	516
300	—	—	528	589	649	709

H [cm]	FB [N]					
150	129	148	167	186	205	224
200	218	249	279	310	341	372
250	—	357	402	448	493	538
300	—	—	551	614	677	739

HT BHT	2 150 mm
----------	------------

HT BHT	2 150 mm
----------	------------

BP	2
----	---

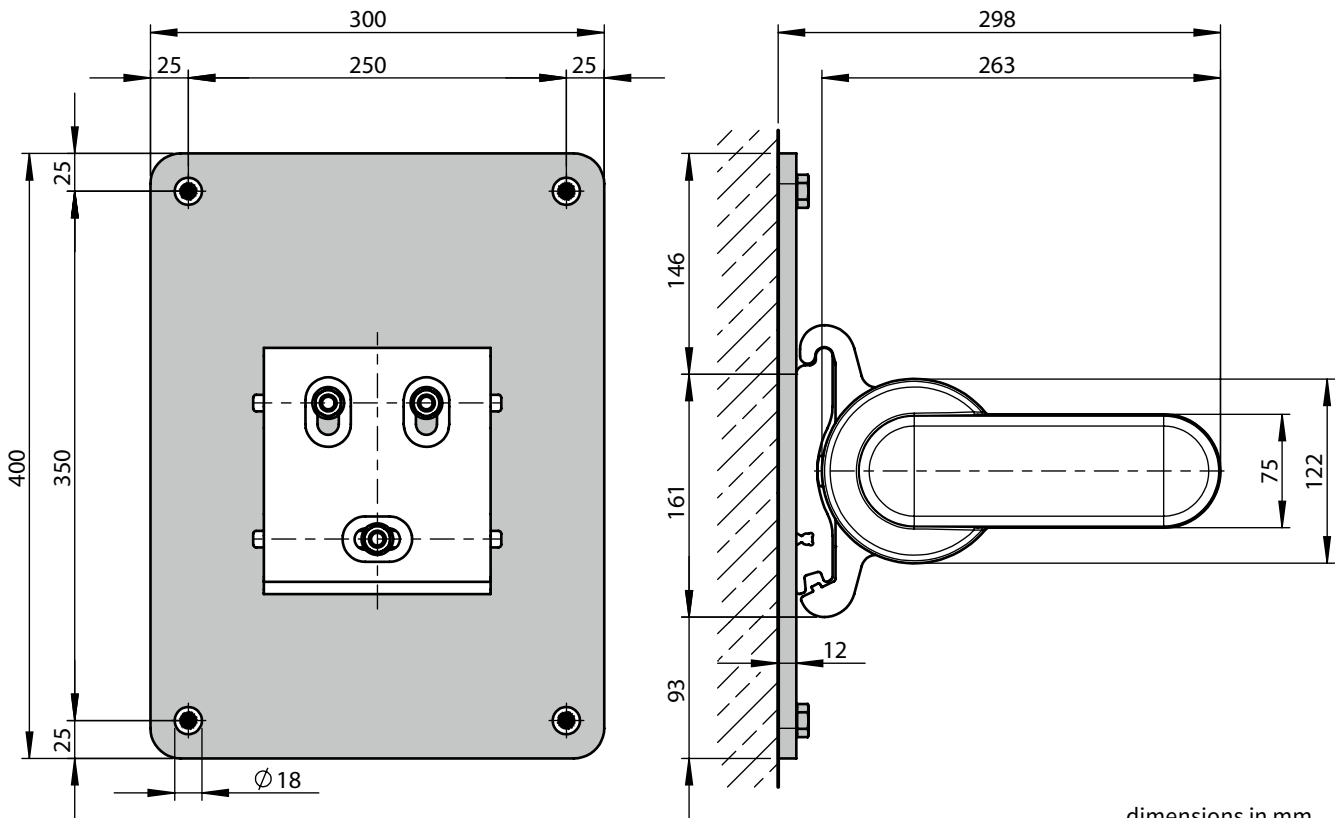
BP	2
----	---

BM	8
----	---

BM	8
----	---

The pull-out force refers to the vertical centre to centre measurement between the fixture points of **350 mm**.
In the case of spreader plates a washer conforming to DIN 9021 must be used.

- M = awning width
- H = projection
- FB = pull-out force per fixing point
- HT | BHT = bracket quantity | width
- BP = no. of spreader plates
- BM = no. of fixing points



dimensions in mm

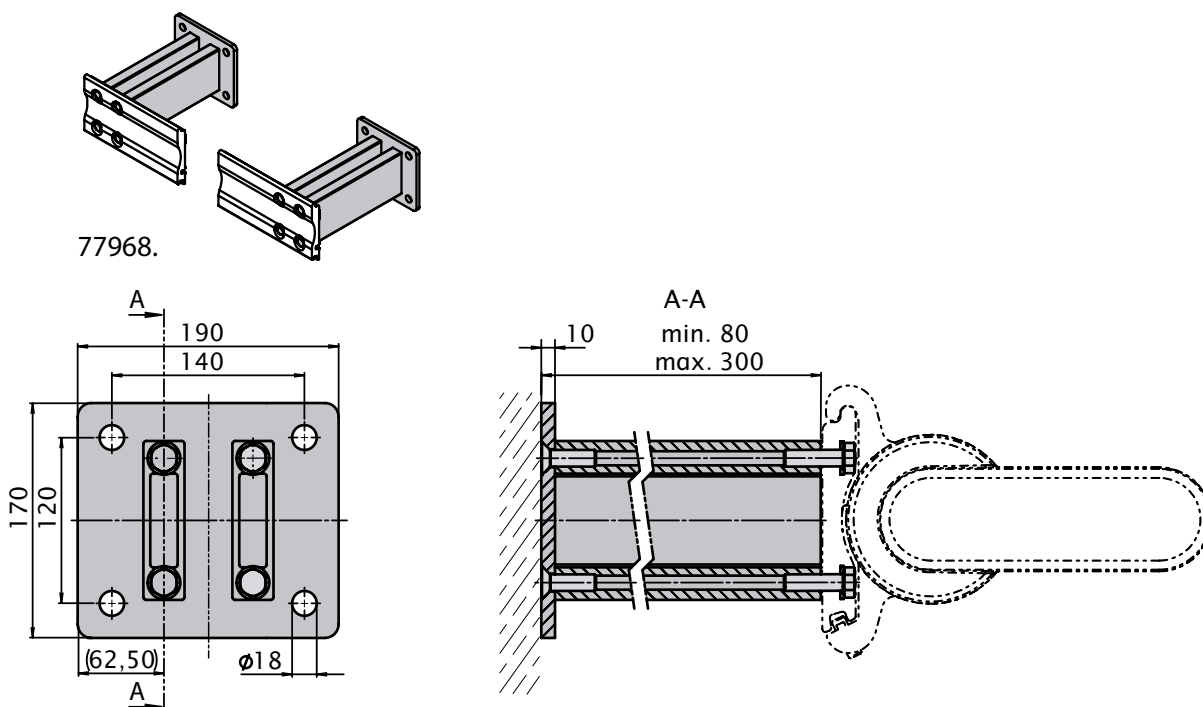
Face fixture with stand-off brackets

Pull-out force [N=Newton] per upper fixing point according to EN 13561, wind resistance class 2

Compression-proof substrate							Non compression-proof substrate											
M [cm]							M [cm]											
250							250		300		350		400		450		500	
H [cm]	FB [N]						FB [N]											
150	440	504	568	632	696	760	495	567	639	711	783	855						
200	705	804	903	1002	1100	1199	793	904	1016	1127	1238	1349						
250	-	1113	1253	1394	1535	1676	-	1252	1410	1569	1727	1885						
300	-	-	1673	1863	2053	2243	-	-	1882	2096	2310	2523						
HT BHT	2 300 mm						2 300 mm											
DH 77968.	2						2											
BM	8						8											

The pull-out force refers to the vertical centre to centre measurement between the fixture points of **120 mm**.
In the case of stand-off brackets washers conforming to DIN 9021 must be used.

- M = awning width
- H = projection
- FB = pull-out force per fixing point
- HT | BHT = bracket quantity | width
- BM = no. of fixing points
- DH = no. of stand-off brackets
- 77968. = stand-off brackets for face fixture brackets 70617. and 70600.



dimensions in mm

01
02
03
04
05
06
07
08
09
10
11
12
13
14
15
16
17
18
19
20
21
22
23

Top fixture

Pull-out force [N=Newton] per upper fixing point according to EN 13561, wind resistance class 2

Compression-proof substrate
M [cm]

250	300	350	400	450	500
-----	-----	-----	-----	-----	-----

Non compression-proof substrate
M [cm]

250	300	350	400	450	500
-----	-----	-----	-----	-----	-----

H [cm]	FB [N]					
150	446	515	584	653	722	791
200	713	817	922	1026	1131	1235
250	—	1143	1291	1439	1588	1736
300	—	—	1738	1939	2139	2340

FB [N]					
557	642	727	813	898	983
901	1032	1163	1294	1425	1556
—	1451	1639	1826	2014	2202
—	—	2215	2470	2725	2980

HT BHT	2 150 mm
----------	------------

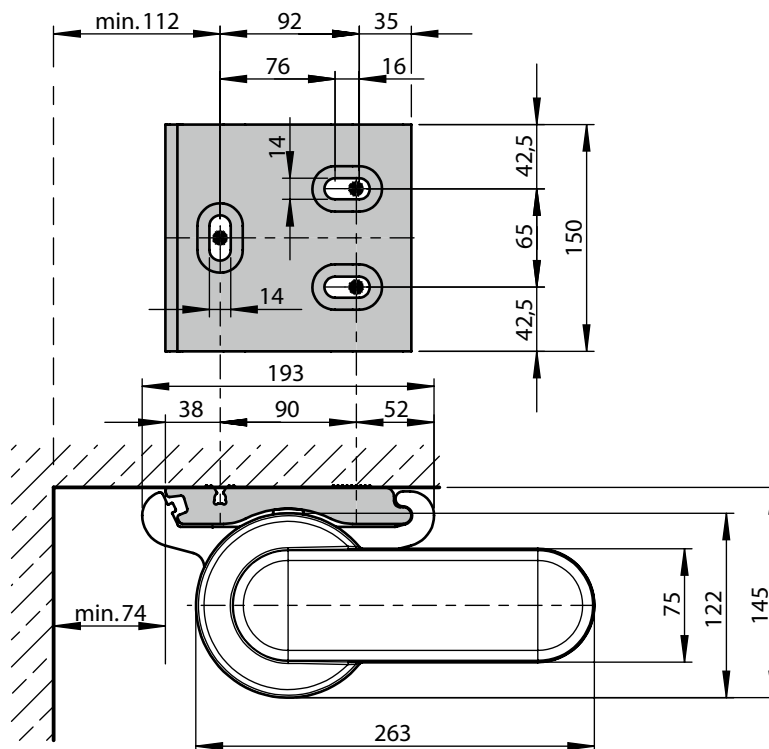
	2 150 mm
--	------------

BM	8
----	---

	8
--	---

The pull-out force refers to the horizontal centre to centre measurement between the fixture points of **80 mm**.

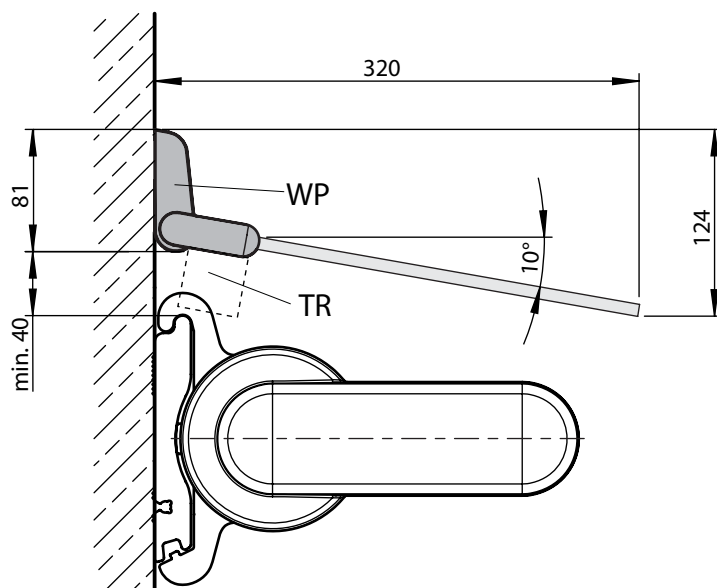
- M = awning width
- H = projection
- FB = pull-out force per fixing point
- HT | BHT = bracket quantity | width
- BM = no. of fixing points



dimensions in mm

Face fixture with system coverboard, optionally with the markilux flexlight

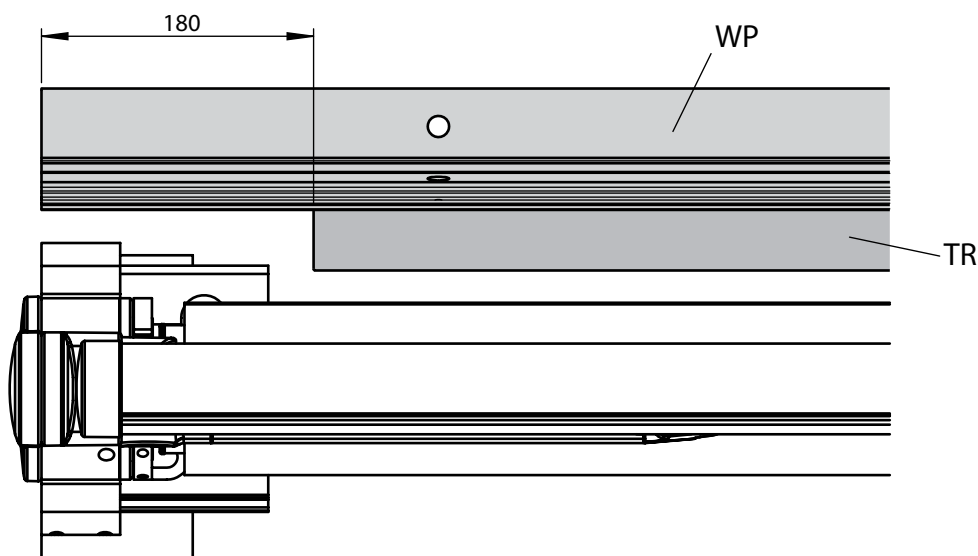
Face fixture with system coverboard



dimensions in mm

View from the front

optionally with markilux flexlight light rope (please refer to the section "Optional Accessories")



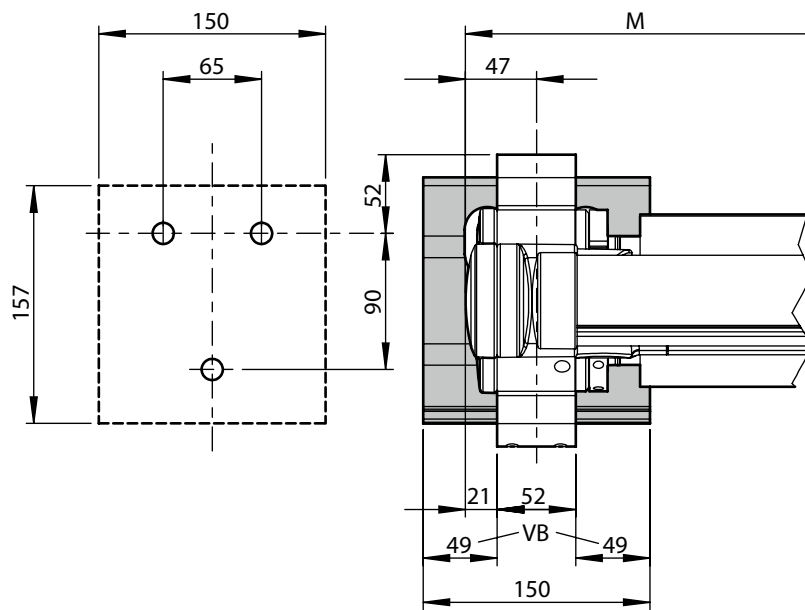
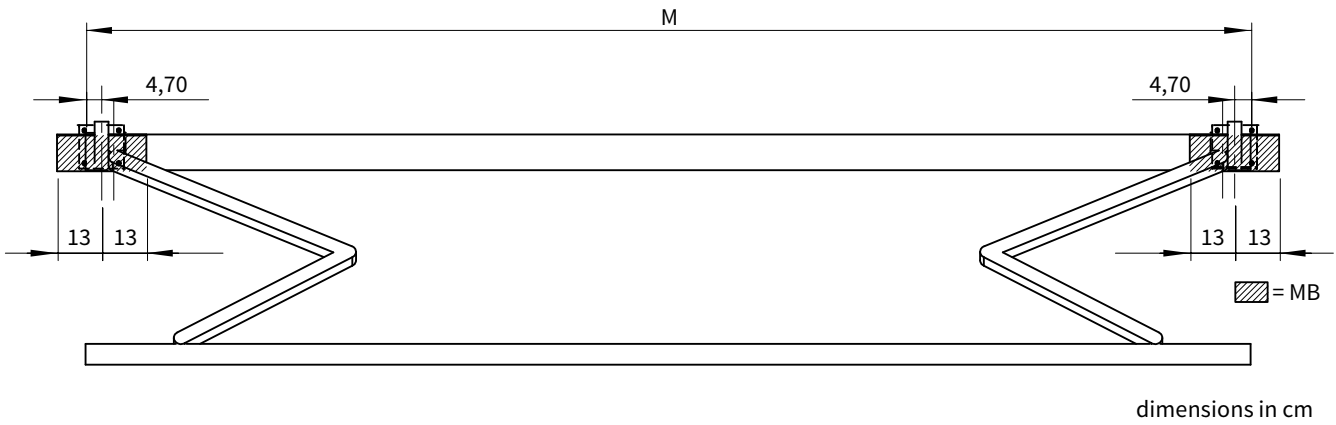
TR = transformer (for the markilux flexlight)

WP = wall profile

dimensions in mm

- 01
- 02
- 03
- 04
- 05
- 06
- 07
- 08
- 09
- 10
- 11
- 12
- 13
- 14**
- 15
- 16
- 17
- 18
- 19
- 20
- 21
- 22
- 23

Bracket fixture range for awnings with 2 folding arms



If the brackets cannot be positioned in accordance with this table, make sure the actual measurements are noted on the order form!

M = awning width

MB = bracket fixture range

VB = adjustment range, face fixture bracket